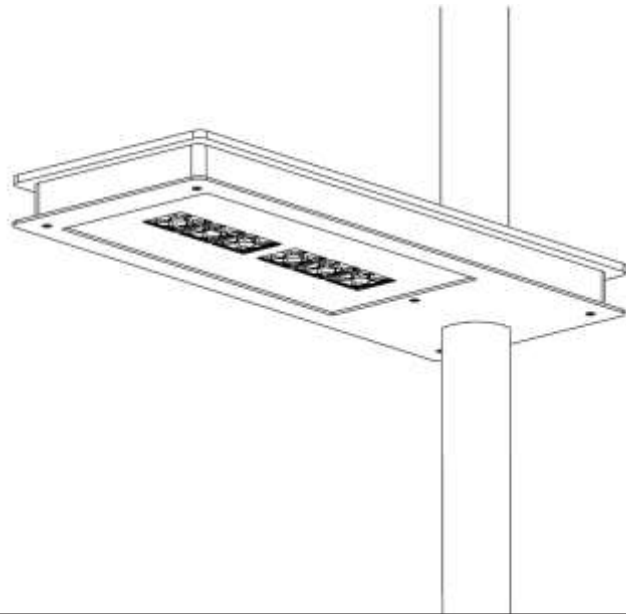
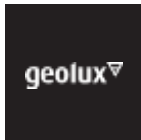


Technical Data Sheet

Plain III Ortho



Product description

Plain III is a modular lighting system. The chosen number of lighting modules is mounted on a pole with a diameter of 60, 76, or 100 mm. The pole is part of the lighting system. Enclosures available in two shapes: round or rectangular (Ortho).

Housing made from aluminum to maximize heat dissipation and service life. Durable powder coating (default color DB 703). Fasteners made from stainless steel. Replaceable LED modules and advanced optics allow for flexible lighting configurations. Integrated power supply unit with long service life.

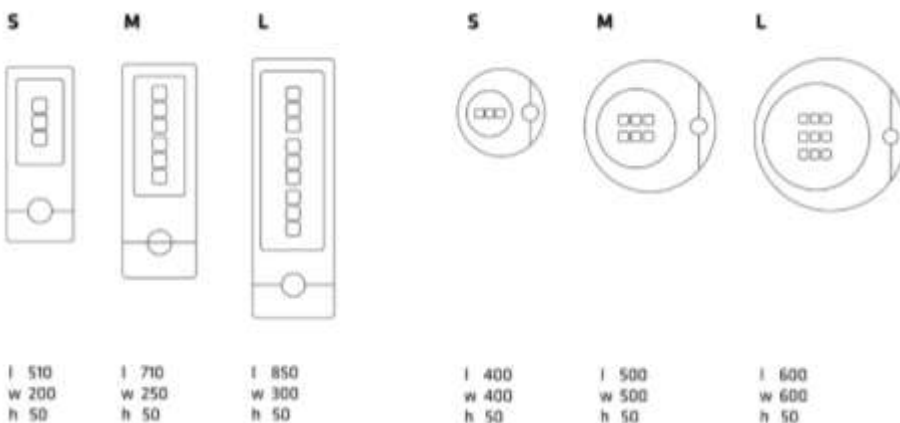
Technical description

Mains voltage	230 V AC, 50 Hz
Connection	5-pole connector
Electrical efficiency	Over 80 %
Protection class	SK II, SK I
Surge protection	3-6 kV
Protection rating	IP 67
Impact protection	IK 09
LED module cover	PMMA
Color rendering index	Over 70
Color temperature	3000 / 4000 / 5000 K
Lifetime (L80, B10)	Up to 100.000 h

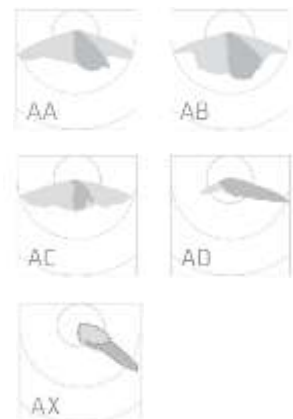
Size	LEDs	mA	lm	W	kg
S	12	330	1.751	14	5,3
S	12	420	2.250	18	5,3
S	12	700	4.865	30	5,3
M	24	620	6.253	50	8,2
M	24	870	8.755	70	8,2
L	36	660	10.010	80	11,9
L	36	820	12.507	100	11,9

* Please note, that a dot (.) is used as the thousands separator and a comma (,) as the decimal separator throughout.

Dimensions



Optics



Product code

The technical specifications of the luminaire and the shape of the enclosure are determined through the combination of 10 categories which result in a unique 16-digit product code.

In addition to the product code, the customer specifies the quantity of modules for a single column. Different combinations of modules possible.

Category	Value	Code	
Model	Plain III Ortho	PA3	
Size	S	1	
	M	2	
	L	3	
Power and lumens (size dependent)	S	14 W (1.751 lm)	014
		18 W (2.251 lm)	018
		30 W (3.752 lm)	030
	M	50 W (6.253 lm)	050
		70 W (8.755 lm)	070
	L	80 W (10.010 lm)	080
	100 W (12.507 lm)	100	
Dimming	Standard	0	
	1-10 V	1	
	0-10 V	2	
	50 %	3	
	AstroDim	4	
	Dali	5	
Optics	AA	AA	
	AB	AB	
	AC	AC	
	AD	AD	
	AX	AX	
Color temperature	3000 K	30	
	4000 K	40	
	5000 K	50	
Installation	Top	T	
Fi	60 mm	1	
	76 mm	2	
	100 mm	3	
Housing color	DB 703	1	
	DB 701	9	
	RAL 7016	4	
	RAL 9005	7	
	RAL 9006	3	
Options	Enclosure: round	1	
	Enclosure: rectangular	2	

Recommended configurations

Plain III Ortho S

A single, rectangular shaped lighting module with a power consumption of 18 W that produces a luminous flux of 2.251 lm. Standard dimming, AA optics, color temperature of 4000 K and DB 703 housing color, to be mounted on a 60 mm diameter pole.

Code: PA310180AA40T112

Plain III Ortho M

A single, rectangular shaped lighting module with a power consumption of 50 W that produces a luminous flux of 6.253 lm. Standard dimming, AA optics, color temperature of 4000 K and DB 703 housing color, to be mounted on a 76 mm diameter pole.

Code: PA320500AA40T212

Plain III Ortho L

A single, rectangular shaped lighting module with a power consumption of 80 W that produces a luminous flux of 10.010 lm. AstroDim dimming, AA optics, color temperature of 4000 K and DB 703 housing color, to be mounted on a 100 mm diameter pole.

Code: PA330800AA40T312